

AE-321 | AE-421

The Aeromatic logo features the word "AEROMATIC" in a bold, sans-serif font. The letter "O" is replaced by a stylized circular graphic composed of three overlapping, curved segments in shades of blue and white, creating a sense of motion or a globe.

AUTOMATIC
SLIDING DOOR
OPERATOR

CE



SMOOTH. SMART. SILENT.
THE FUTURE OF AUTOMATED ENTRY

www.aeromaticaccessories.com



Product Details

The AE-321 and AE-421 automatic sliding door operators are high-performance systems designed for smooth, quiet, and reliable operation in commercial and residential environments. Built with a robust track, advanced controller, high-efficiency motor, and precision belt drive, they ensure seamless opening and closing cycles. The system features durable hangers, adjustable stoppers, and a reinforced belt connector for long-term stability. Suitable for framed and frameless glass doors, these models support telescopic configurations, offering wider clear openings in limited spaces. Ideal for offices, retail stores, hospitals, and hotels, the AE series delivers enhanced safety, energy efficiency, and low-maintenance functionality for continuous daily use.

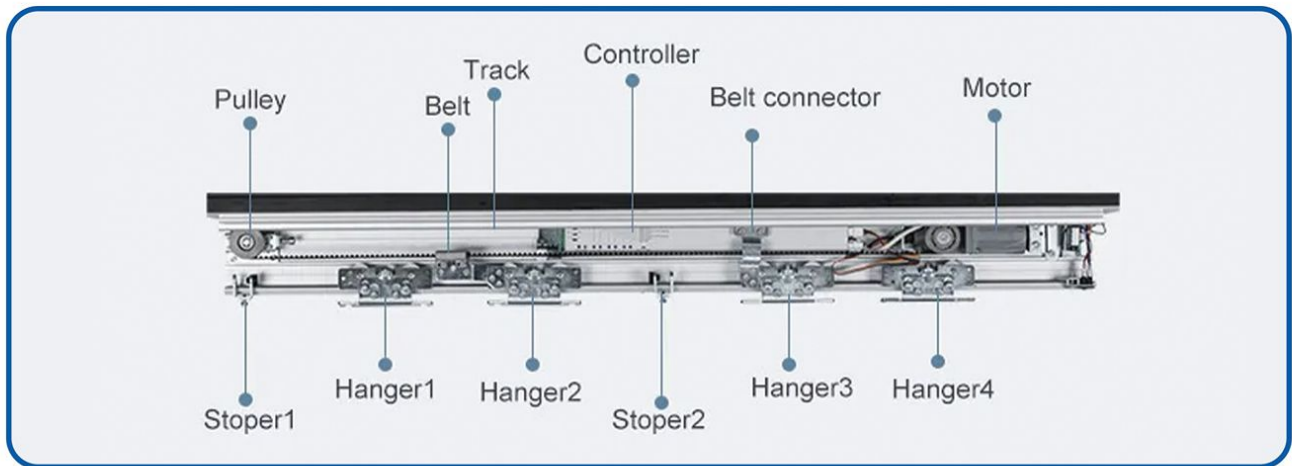


Figure A: AE-321 | AE-421 Automatic Sliding Door Operator



About Motor & Track



65W Brushless Motor

Max Capacity **130kg**

Speed **3000** RPM/Min

Motor Specifications

The system is driven by a high-torque 100W brushless motor, engineered for reliability and quiet performance. With a maximum load capacity of 150kg and an operational speed of 3000 RPM, it delivers powerful and consistent operation for heavy-duty use. The motor is designed for minimal acoustic disruption, generating less than 45 dBA of noise to ensure a tranquil environment in offices, retail spaces, and healthcare facilities.

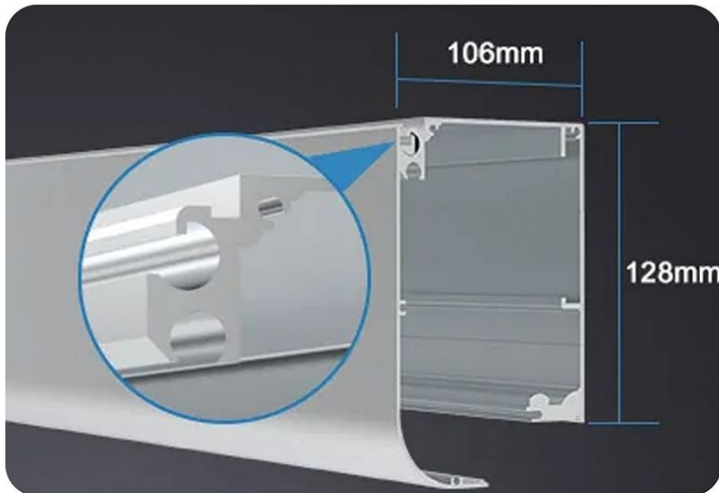


Figure A: Track With Cover

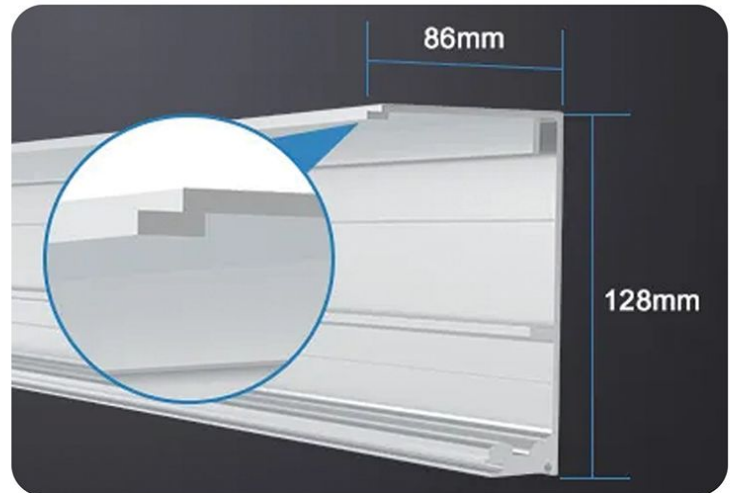
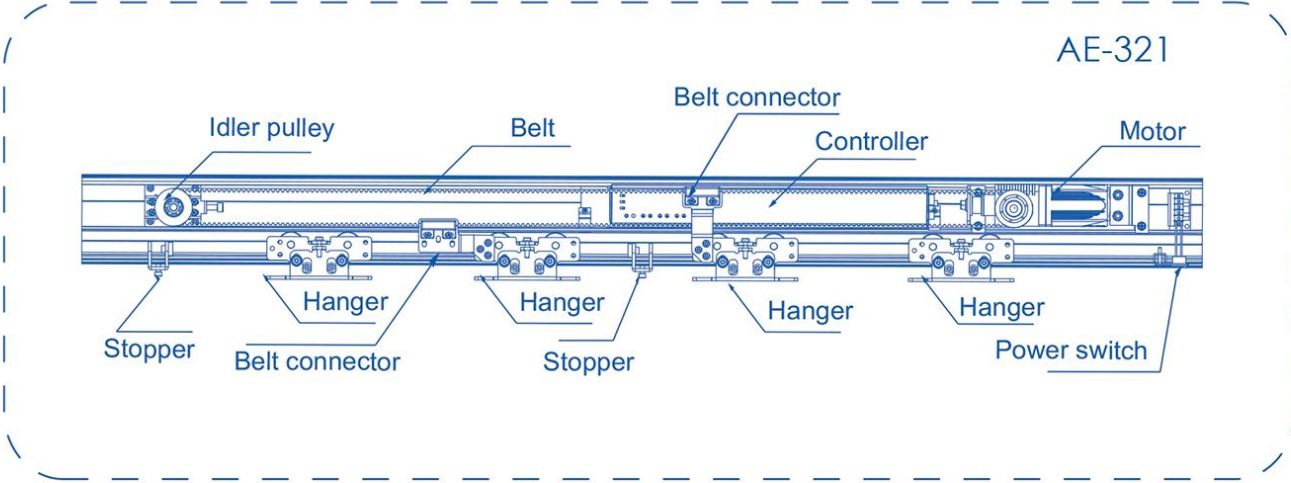


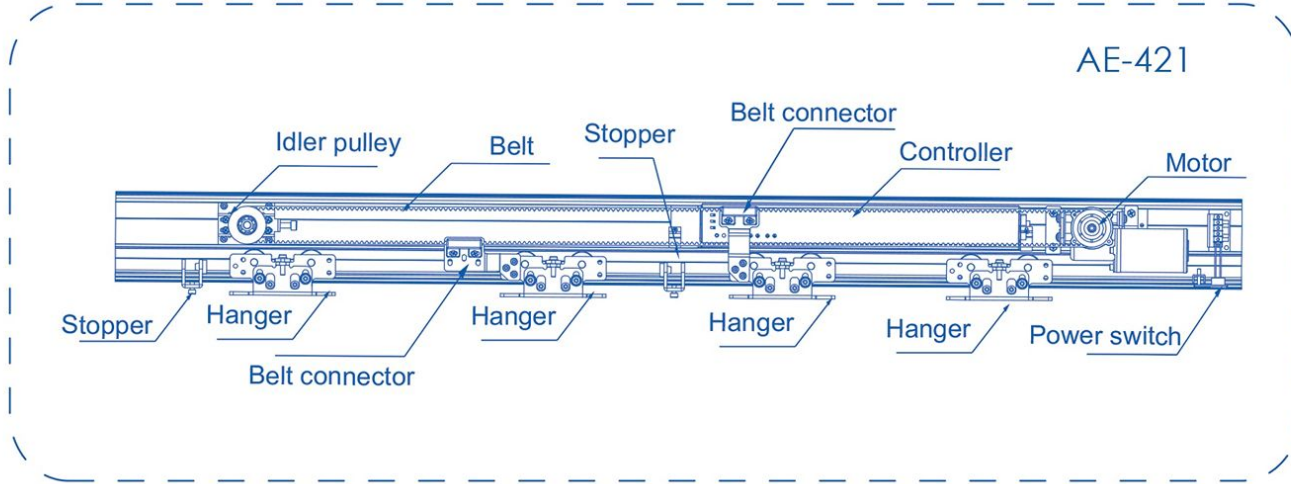
Figure A: Track WithOut Cover

Track System Specifications

The operator features a robust and adaptable track system, available in a covered design for a finished appearance (106mm x 128mm) or as a structural track alone (86mm x 128mm). For ultimate installation flexibility, the track is offered in standard lengths of 2.1m (single opening), 4.2m, and 6.3m. Both the aluminum track and its cover can be easily cut to size on-site or ordered in custom lengths to meet precise project requirements.



TECHNICAL DATASHEET / INSTALLATION MANUAL

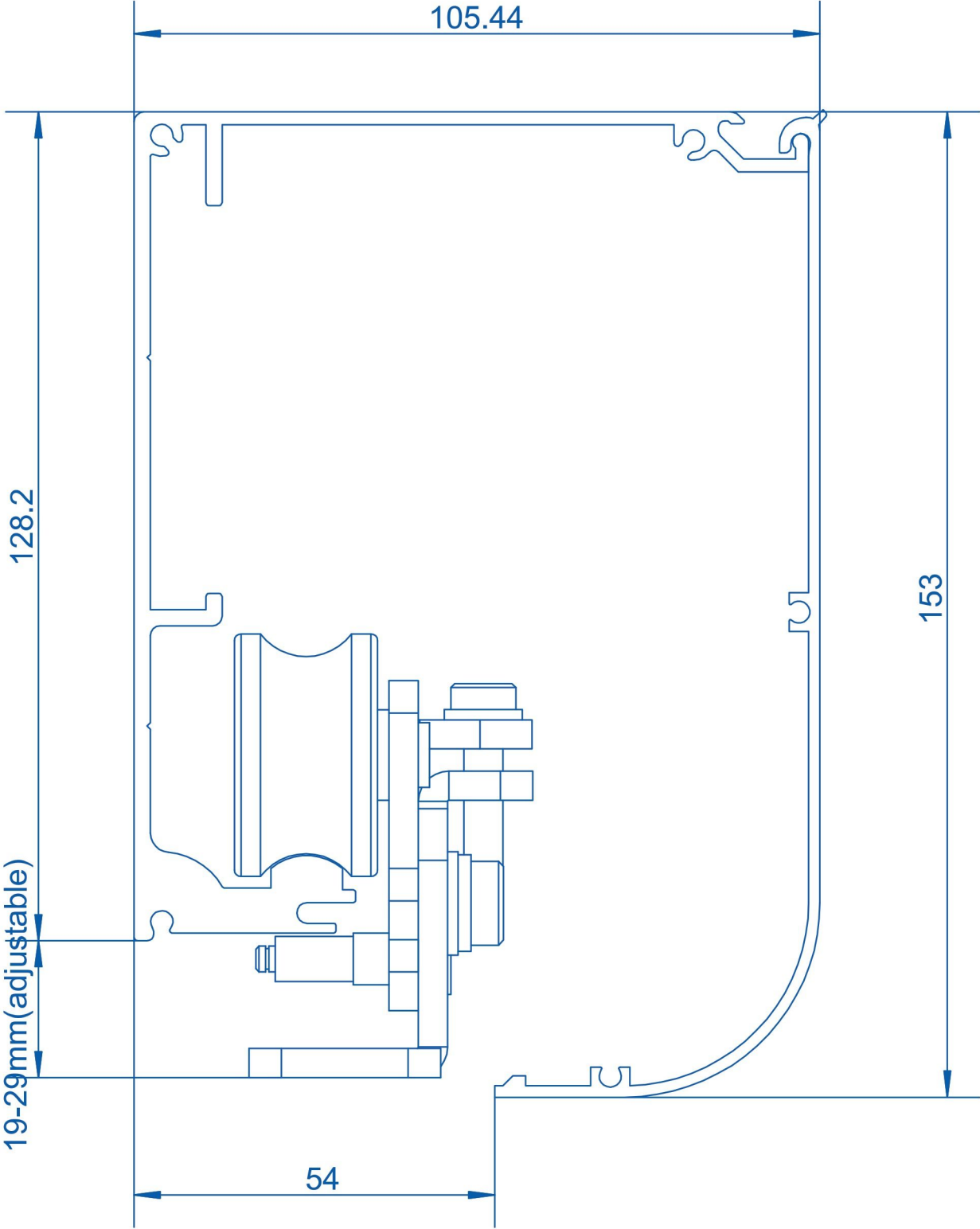


MECHANISM PARTS OVERVIEW

1. LIST OF COMPONENTS

Description	Schematic diagram	Quantity	
		Single-leaf	Double-leaves
Motor (AE-321)		1	1
Motor (AE-421)		1	1
Controller		1	1
Idler pulley		1	1
Power switch		1	1
Hanger		2	4
Belt connector (A)		1	1
Belt connector (B)		1	1
Stopper		2(left & right)	2(left & right)
Toothed Belt		1	1
Fastenings		1 set	1 set
Installation Manual		1 set	1 set

SECTIONAL VIEW



Warning: This illustration is not at actual scale.

Product Features

The AE-321 | AE-421 Automatic Sliding Door Operator is engineered to deliver smart performance, superior reliability, and enhanced user convenience. Designed for modern commercial and residential environments, it combines advanced electronic control with precision-built mechanical components to ensure smooth, quiet, and long-lasting operation. The system supports a wide range of safety, access, and automation functions, making it adaptable to various installation requirements. With intelligent technology, flexible configuration options, and robust safety enhancements, this operator provides a high-quality solution for seamless door movement and dependable daily use.

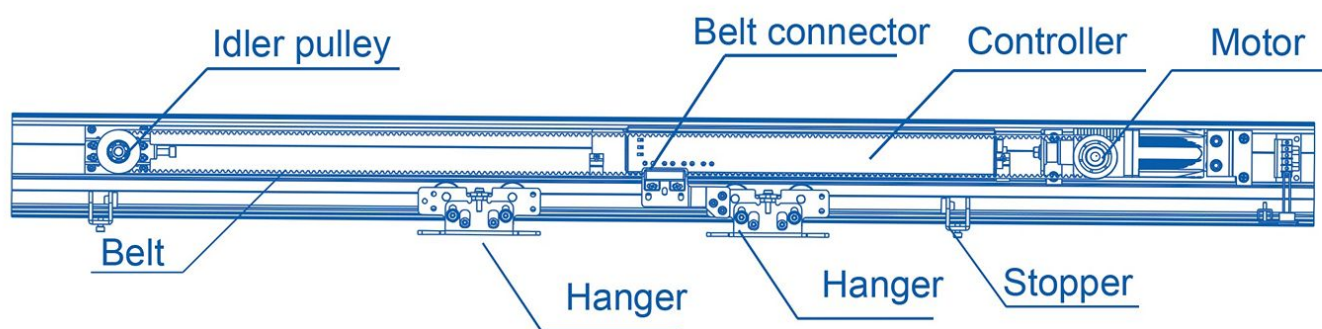


Figure A: AE-321

1. Utilizes microprocessor control technology and advanced mechanical manufacturing.
2. Features a self-learning function upon power-on, selectable by the user.
3. Equipped with a digital screen for easy and precise adjustment of working data.
4. Powered by a brushless DC motor, ensuring a long working life and low noise (less than 40 dB).
6. Includes anti-pinch safety protection during both closing and opening cycles.
7. Provides function terminals for accessories like an electronic lock, access keypad, function keypad, and function remote.
8. Includes special terminals for anti-pinch side sensors for enhanced safety.
9. Designed with a square motor (AE-321) suitable for narrow door entrances.

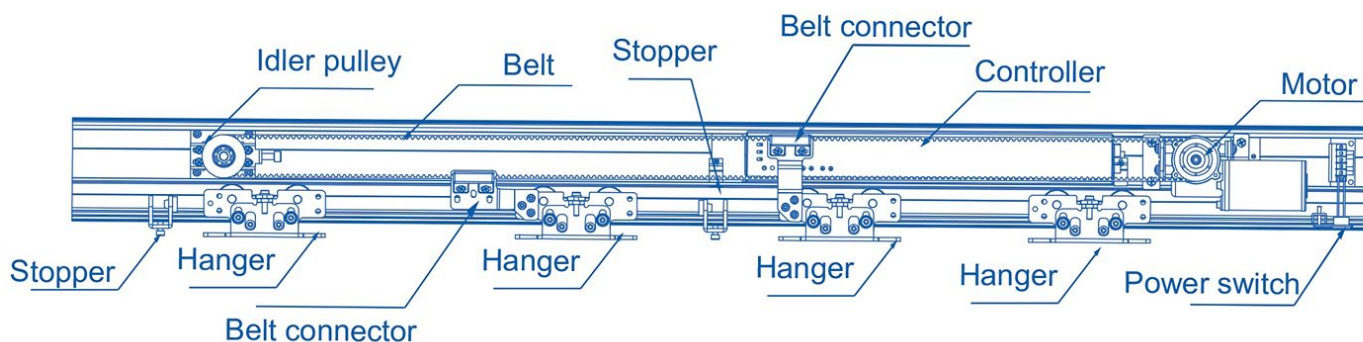
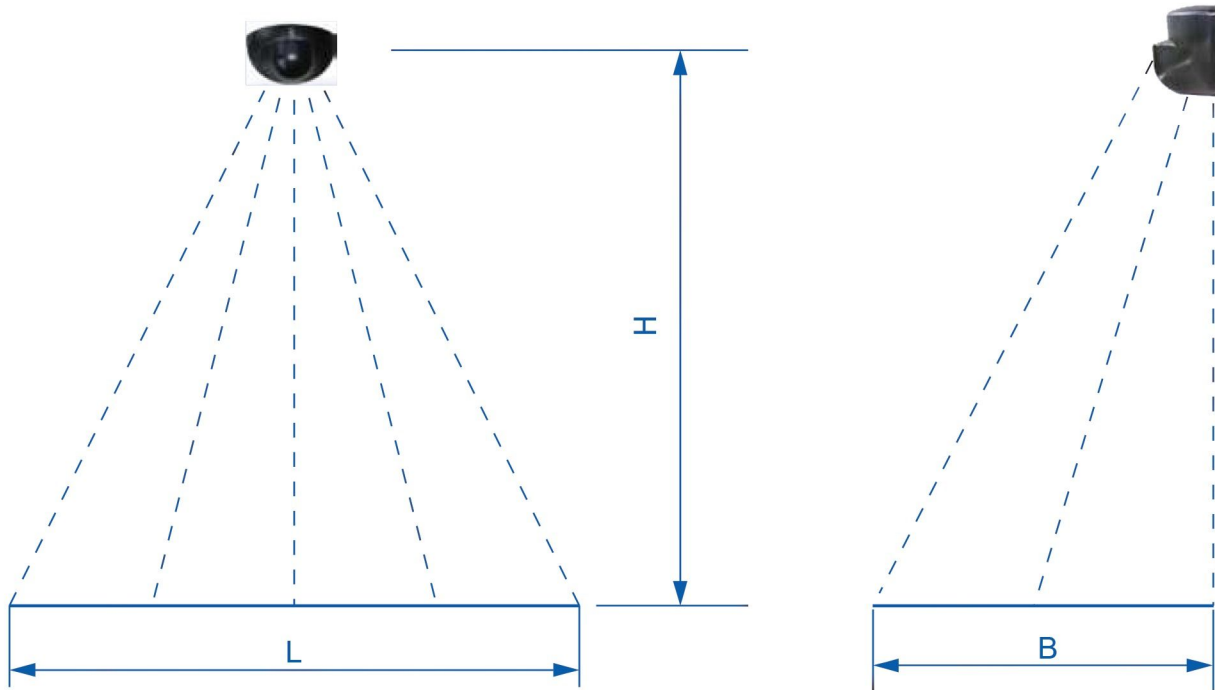


Figure A: AE-421

Installation of Sensor

The sensor should be installed at the center of the door leaf & the max installing height of sensor is 3m.



Caution: Please use our brand sensor. If not, please choose good quality sensor.

Connection of motor, controller and power switch

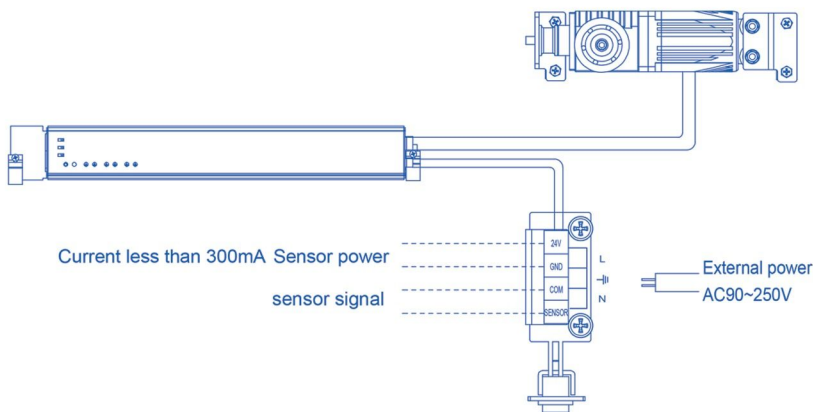
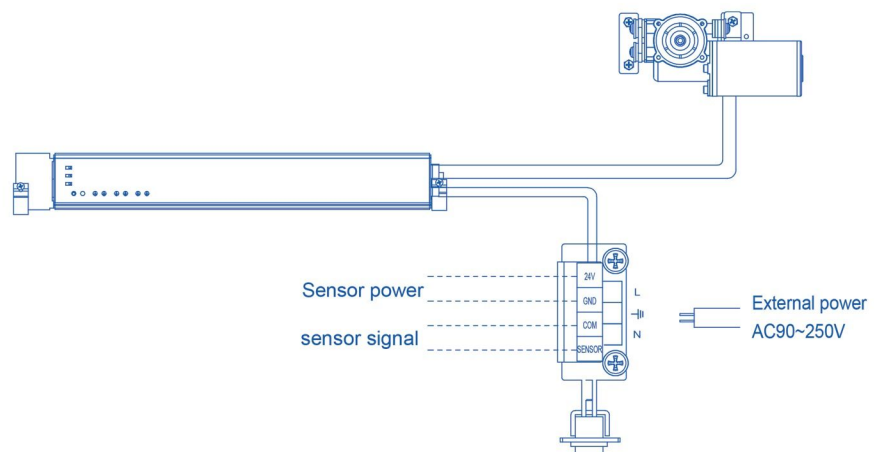


Figure A: AE-321

Figure B: AE-421



TECHNICAL COMPARISON: AE-321 | AE-421

The AE-321 and AE-421 automatic sliding door operators are designed to deliver strong, efficient, and adaptable performance for various installation requirements. The AE-321 supports single doors up to 130 kg and double doors up to 2×120 kg, driven by a 24V 65W motor running at 3000 rpm. The AE-421 increases capacity to 150 kg for single doors and 2×140 kg for double doors, powered by a 24V 55W motor at 2300 rpm. Both models offer adjustable opening and closing speeds, customizable opening times, and reliable operation in temperatures from -10°C to +70°C, ensuring smooth functionality across diverse environments.

AE-321 | AE-421

Parameter	AE-321	AE-421
Door leaf weight	Single - Opening: Max 130kg Double - Opening: Max 2*120kg	Single - Opening: Max 150kg Double - Opening: Max 2*140kg
Door leaf width	Single - Opening: DW=700-1300mm Double - Opening: DW=600-1250mm	Single - Opening: DW=700-1300mm Double - Opening: DW=600-1250mm
Voltage	AC 90-250V 50-60Hz	AC 90-250V 50-60Hz
Opening speed	15-55cm/s (Adjustable)	10-50cm/s (Adjustable)
Closing speed	15-55cm/s (Adjustable)	10-50cm/s (Adjustable)
Opening time	0-20second (Adjustable)	0-20second (Adjustable)
Manual open force	Single - Opening: <40N Double - Opening: <50N	Single - Opening: <40N Double - Opening: <50N
Motor	24V 65W 3000rpm	24V 55W 2300rpm
Operating temperature	-10°C – +70°C	-10°C – +70°C

AEROMATIC

SMOOTH. SMART. SILENT. THE FUTURE OF AUTOMATED ENTRY

