

# AEROMATIC

POWERING CLEAN AIR, SEALING COMFORT



AIR CURTAIN

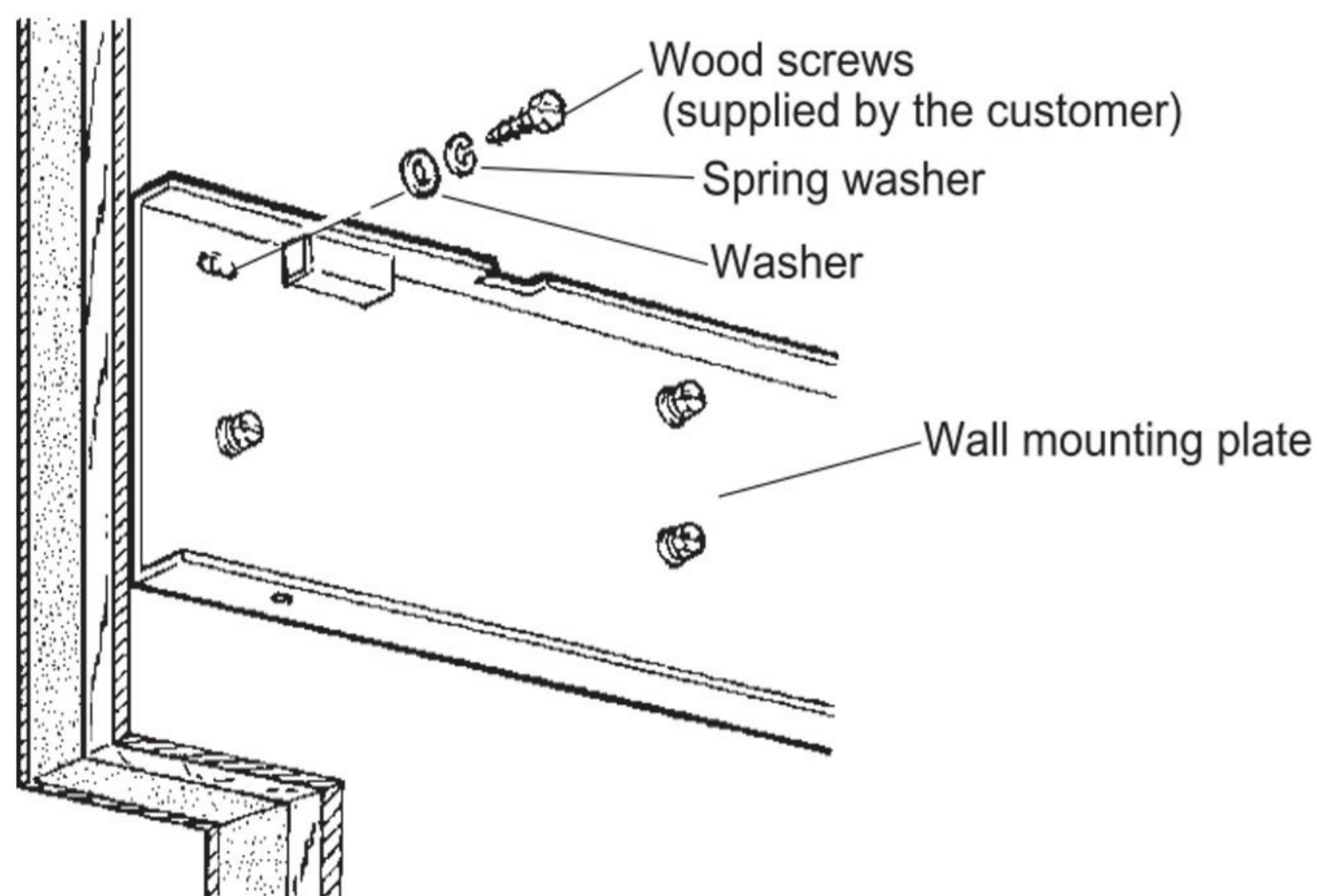
# G SERIES FLOW AIR CURTAIN

## OPERATING AND INSTALLATION INSTRUCTIONS

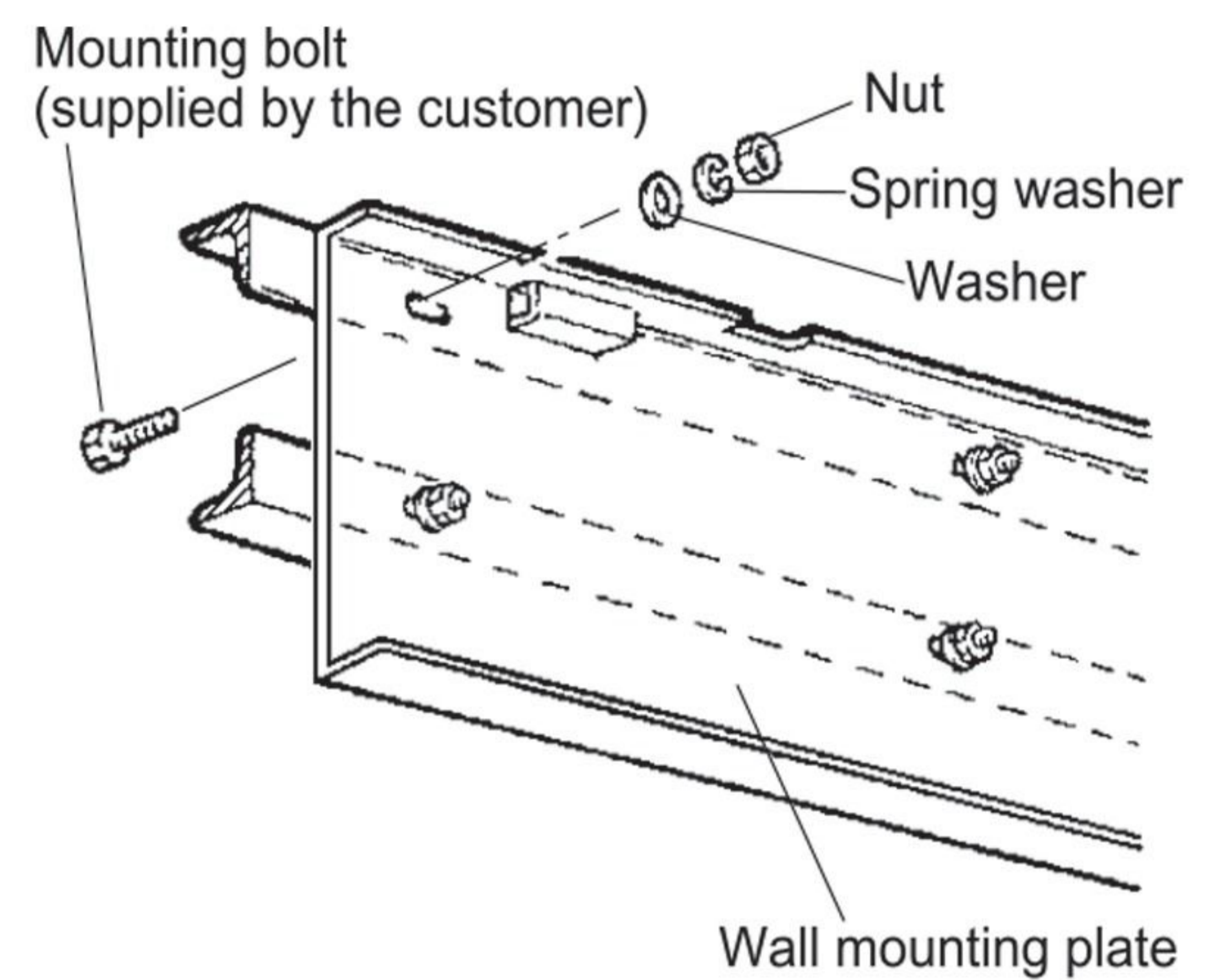
***Be sure to read this instruction manual before starting installation work.***

*Installation work must be carried out by a dealer or a specialist installation contractor.*

1. This is a safety-cause product about the player supply before purchasing into this installation work.
2. Sure to find your best advantage and handling procedures is met when the installation work has been completed.
3. After reading this information, keep it in a place where any person using the product can refer to it at any time.



If the panel thickness is 20mm or greater, mount the wall mounting plate directly on the wall with the washers and spring washers supplied with the air curtain, and wood screws (supplied by the customer). If the panel thickness is less than 20mm, install a reinforcing board (supplied by the customer) so that the total thickness becomes 20mm or greater.



- (1) Installation holes have already been made in the wall mounting plate's mounting hole position.
- (2) Install the wall mounting plate on the wall using the washers, spring washers and nuts supplied with the air curtain and bolts (supplied by the customer), fastening it securely.
- (3) Install the mounting bolts so that they protrude from the wall mounting plate about 15mm.

### Installing the unit

1. Insert the hook fitting on the back of the unit in the holder on the wall mounting plate, lowering it until it stops.
2. Fasten the unit to the wall mounting plate securely using the 2 screws provided.

## Maintenance

The Air Curtain should be cleaned when it gets dirty-roughly once every three months as a general rule. Also, be sure to clean and test run the Air Curtain before starting operation for the summer and winter seasons.

1. Always switch power off before cleaning the unit.

If there is dirt on the front panel, remove it with a vacuum cleaner. Also, if the inside of this product is extreme dirty,

2. Do not use solvents such as the following to clean the unit:

Paint thinner, alcohol, benzine, gasoline, kerosene, aerosol sprays, alkaline solvents, or chemicals in chemically

### 01 Removing Each Part

1. Take out the two screws used to install the front panel.

2. Pull the front part of the front panel, then lift it up to and off the hooks on the unit's body and remove it. Take off the nuts then pull the blades off the fan motor shafts.

### 02 Reassembly and Inspection after cleaning

*When cleaning is finished, reverse the disassembly steps to reassemble the unit.*

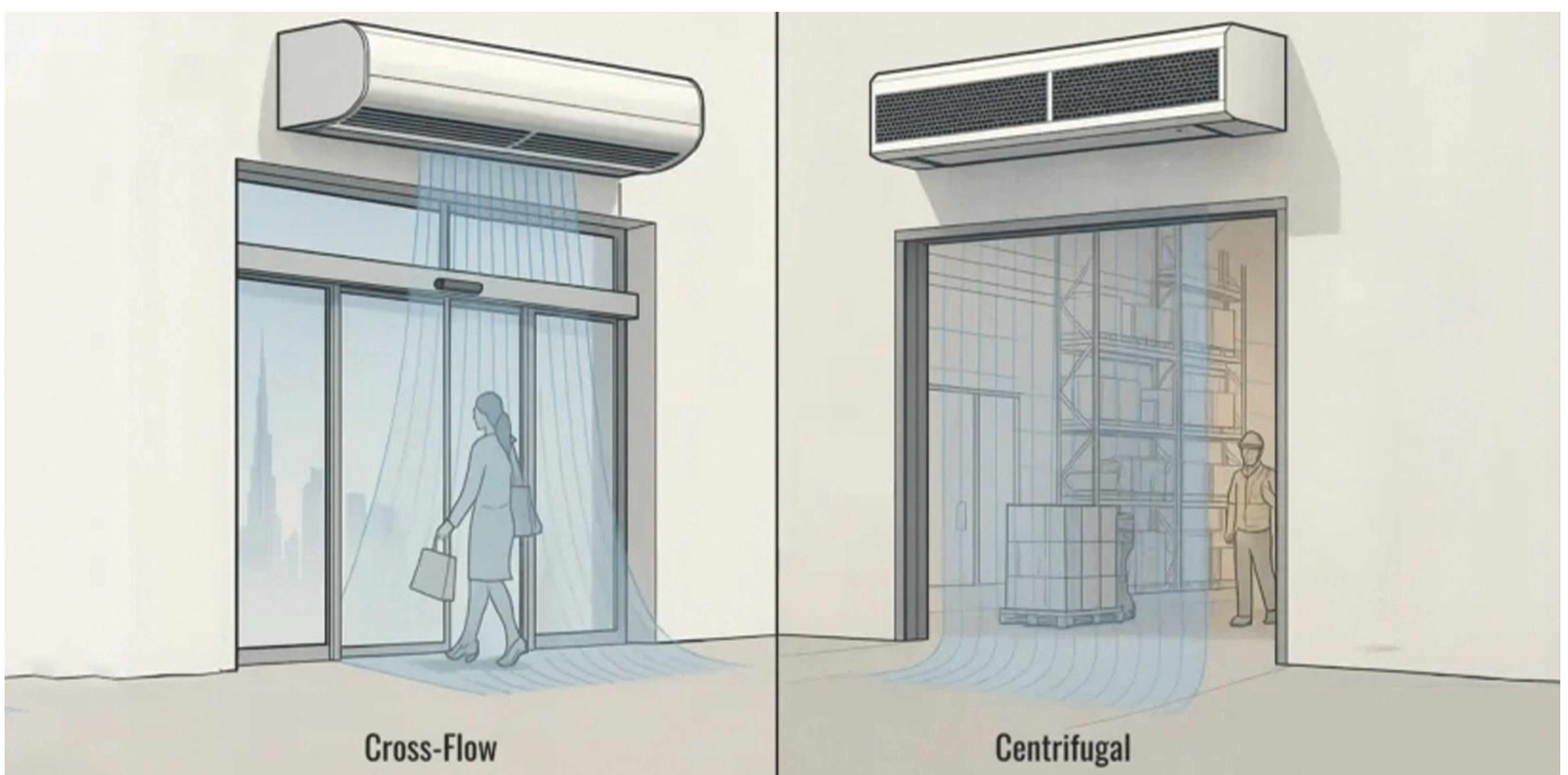
Inspect the following items as you reassemble the unit.

1. The fan fits onto the shaft in a specific orientation. Be sure not to install it upside-down.

2. There are no scratches on the wiring inside the unit body!

3. The unit body, fans, nuts, and front panel all have been mounted securely.

4. Switch power on and confirm that the Air Curtain operates correctly.



## Essential Safety Precautions

Please be absolutely sure to read through the following information:

it will help you to install the Air Curtain correctly and safely and to operate properly.

The precautions presented here contain important safety information: be sure to follow the applicable instruction given.

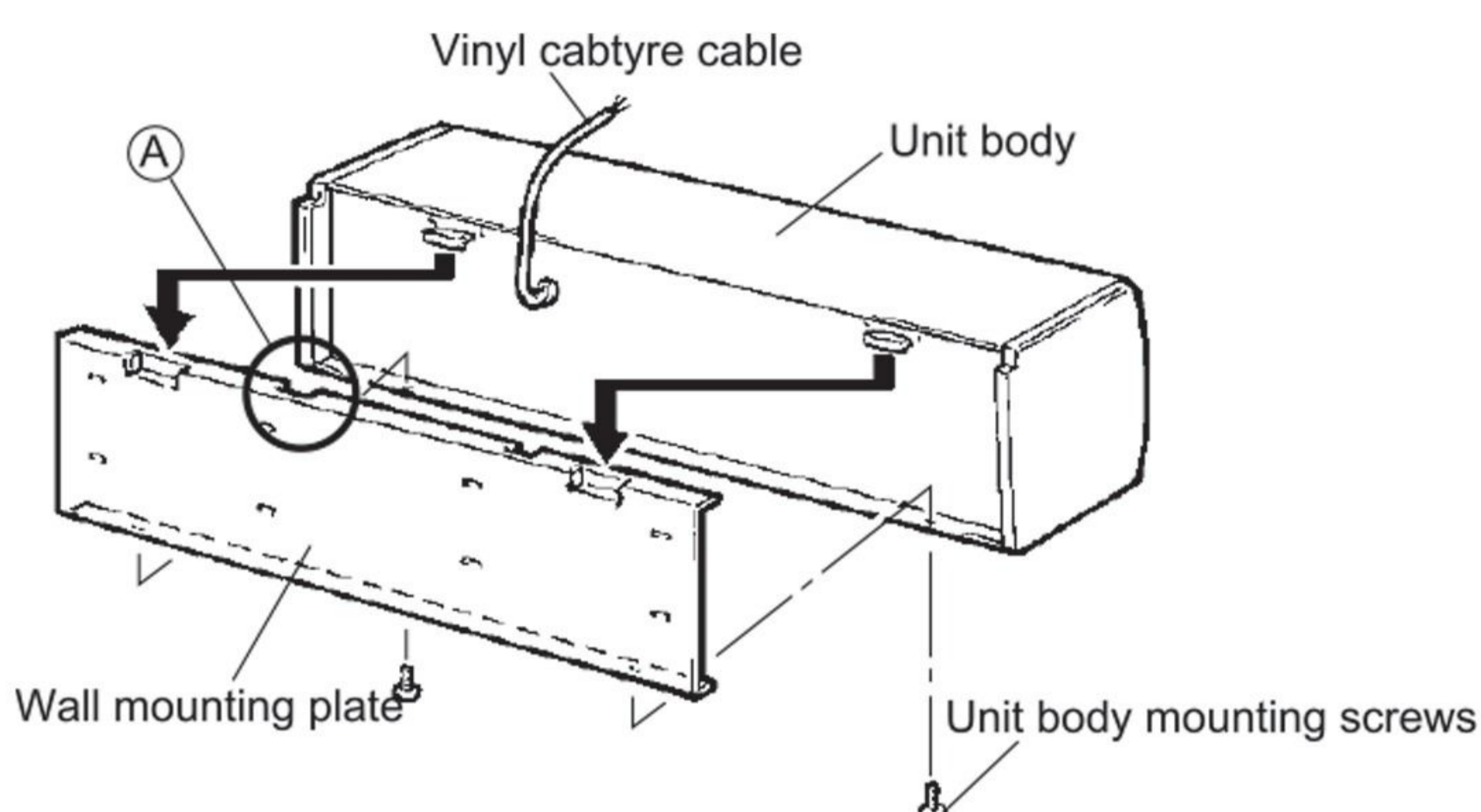
### Warnings

1. Do not touch the moving parts.  
(You may injure yourself.)
2. Do not poke your fingers or any objects into the air outlet ports or moving parts during operation since this is dangerous.  
(You may injure yourself.)
3. If operation stops while the power is still switched on, do not touch the product under any circumstances.  
(There is a danger that the unit could suddenly start operating again and cause injury. There is also a danger of electrical shock.)
4. Do not attempt remodelling under any circumstances. Disassembly and repair are permitted only by qualified repair engineers.  
(The product may cause fire, electrical shock and/or injury.)
5. Do not apply water to the product or splash water onto it.  
(Short-circuiting or electrical shock may be caused.)
6. Do not use the product where the combustion area of its combustion device will be directly exposed to wind or air movement.  
(This may cause incomplete combustion or result in the flames being extinguished, leading to carbon monoxide poisoning.)
7. When passing the product and metal ducts connected to the product through wooden building lined or covered metal or wire laths or with metal sheets, install the product and ducts in such a way that they will not make electrical contact with the metal or wire laths or metal sheets.  
(Ignition may occur if there are power leaks.)
8. Before proceeding with maintenance work, be absolutely sure to set the circuit-breaker on the power board to the OFF position. In addition, do not perform the work with wet hands.  
(Electrical shock or injury may result)
9. Ground the product properly.  
(Electrical shock may be caused in case of malfunctioning or power leaks).

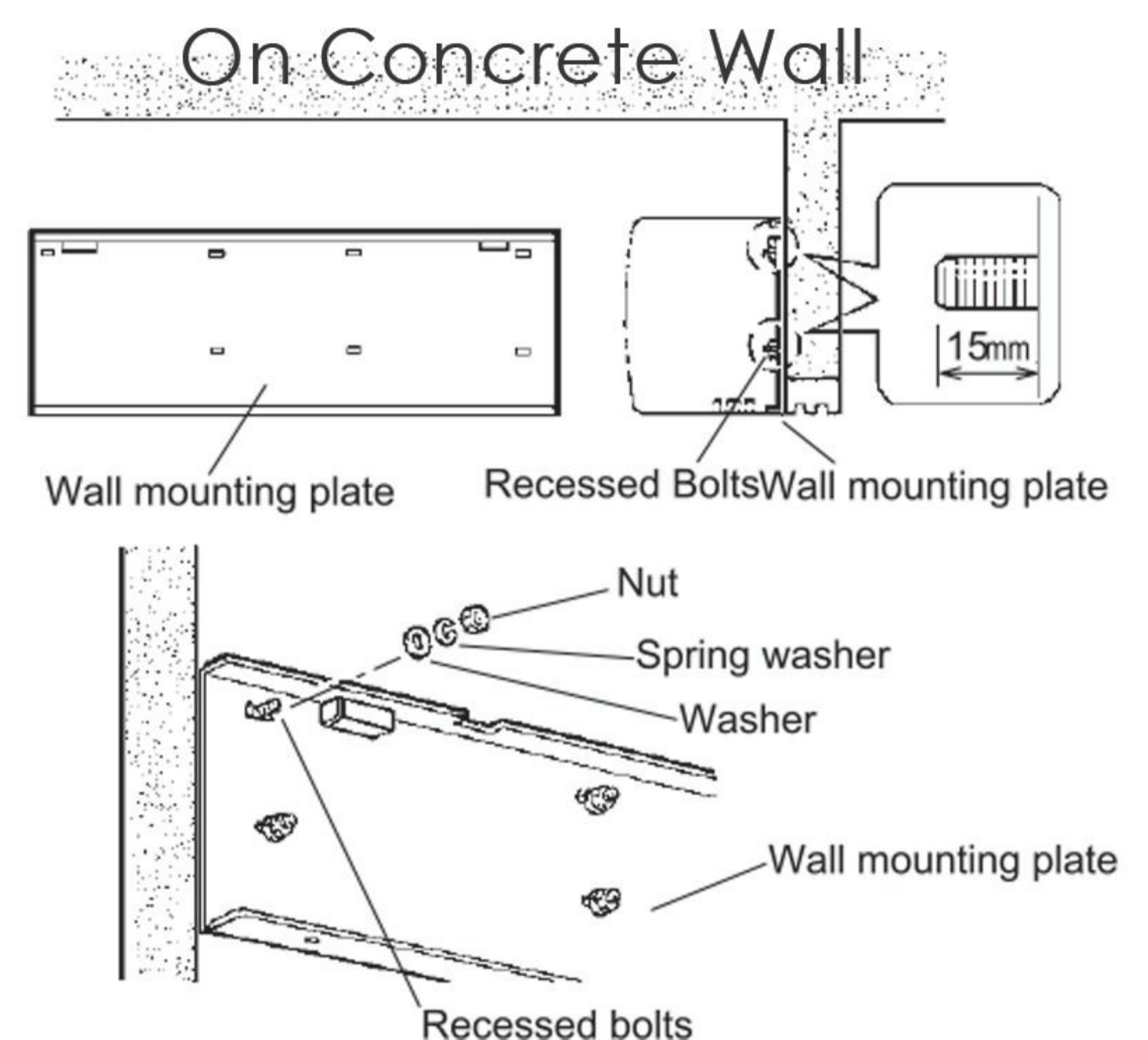
## ⚠ Cautions

1. Do not hang on the product or swing from it.  
(It may fall, resulting in injury)
2. Never use the products in a bathroom or other location with excessive moisture (more than 90% RH).  
(Electrical shock or fire may be caused.)
3. Use Single-phase 220~240V, 50Hz power supply.  
(If the wrong power supply is used, it could cause a fire or electrical shock.)
4. When installing the main unit, select a location which is sufficiently strong, and install the unit securely.  
(Failure to do so may result in the unit falling, resulting in injury.)
5. Install the parts properly and securely. (Failure to do so may result in the part falling, resulting in injury.)
6. Wiring work should be performed safely and reliably.  
(Poor connections or errors in the wiring work could result in electrical shock or fire.)
7. During installation and maintenance, always wear gloves.  
(If gloves are not worn, your hands could be injured.)
8. If the product is not going to be used for a prolonged period of time, be absolutely sure to set the circuit-breaker on the power board to the OFF position.  
(Deterioration in the insulation may cause electrical shock, power leaks or fire.)

## Installing the Wall Mounting Plate



Remove the two mounting screws from the unit body, then remove the wall mounting plate from the unit body. Run the vinyl cable through the U groove A.



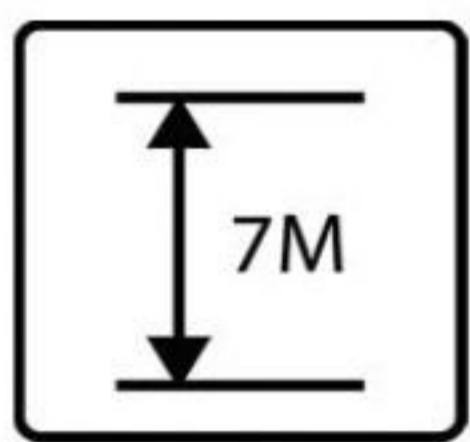
1. Embed recessed bolts so that they protrude about 15mm from the wall surface.
2. Fasten the wall mounting plate to the recessed bolts using the washers, spring washers and nuts supplied with the air curtain, and tighten them securely.

# G SERIES INDUSTRIAL CENTRIFUGAL AIR CURTAIN

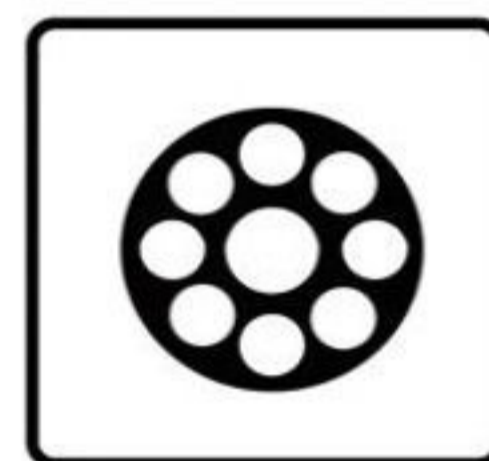


**AIR SPEED 28M/S**

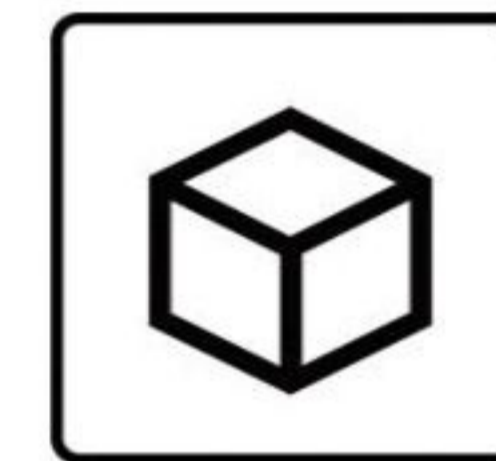
Installation Height  
7 M



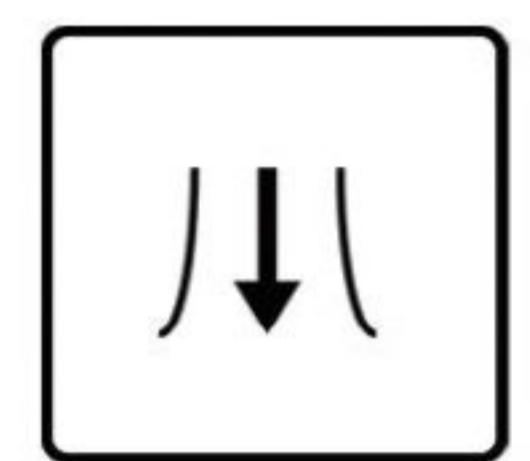
Three-phase asynchronous motor



1.0mm thick metal housing



High air speed



## Performance Parameter

Model	Specification (mm)	Voltage (V)	Frequency (Hz)	Power (W)	Installation Height (m)	Air speed (m/s)	Airflow CMH CFM	Noise (dB)	Product Dimension (mm)	Net Weight (Kg)
LM3509G	900	380	50	880	5.0~7.0	28	3500 2061	72	900×318×267	38
LM3510G	1000	380	50	950	5.0~7.0	28	4000 2356	74	1000×318×267	42
LM3512G	1200	380	50	1100	5.0~7.0	28	5500 3239	77	1200×318×267	50
LM3515G	1500	380	50	1600	5.0~7.0	28	6000 3534	80	1500×318×267	61
LM3518G	1800	380	50	2000	5.0~7.0	28	7500 4417	82	1800×318×267	75
LM3520G	900	380	50	2200	5.0~7.0	28	8000 4711	83	2000×318×267	90



Iron plate with bright white powder coating, or stainless steel material



Three-core cable, safe and efficient



5mm adjustable circular air guide bar strengthen the wind speed



100% pure copper asynchronous motor to be strong power and economize energy



Metal turbocharging design, to increase airflow and pressure



High-quality ball bearing to ensure motor running more smoothly and silent

# AERO MATIC

POWERING CLEAN AIR, SEALING COMFORT

